

Registration Form

Company: _____

Name & Title: _____

Address: _____

Phone: _____

Fax: _____

Email: _____

Please Circle One: Chicken Fish Beef

Please fill out & fax to:

Laurieann Smart
(925) 825-3037

Or

Email: LBSmart@haywardbaker.com

Registration Completely
Complimentary 
With your Business Card

Limited space available so
register right away!

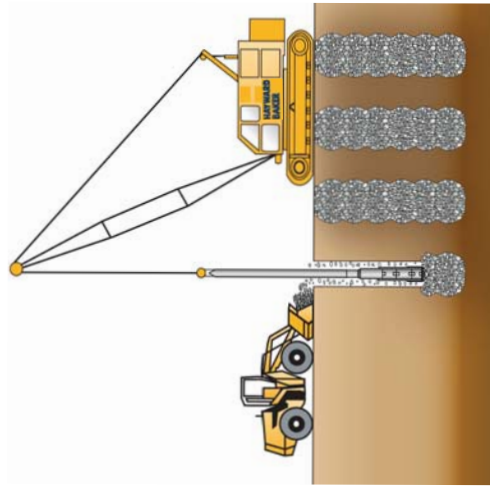
We look forward to seeing everyone there!

**HAYWARD
BAKER**
Geotechnical Construction

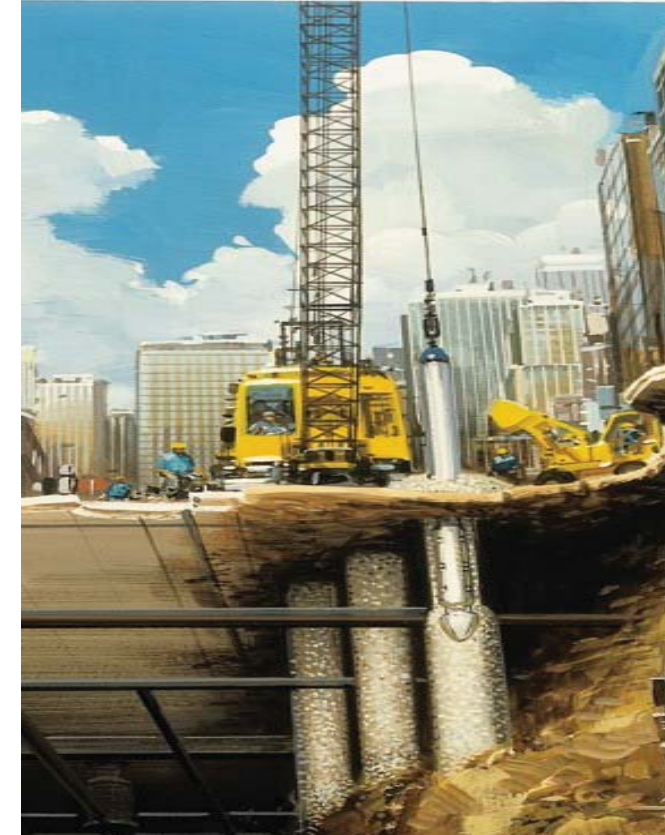
If you have any questions please
contact Laurieann Smart at
(925) 825-5056



Hayward Baker Inc.
2322 Bates Ave.
Concord, CA 94520
(925) 825-5056



Hayward Baker Inc. Vibro Methods for Static and Seismic Foundation Applications



*You Never See Our Best Work...
But you have confidence in knowing we've been there.*

Please Join Us For a Lunch Time Seminar

Thursday, June 25, 2009

at

Hilton

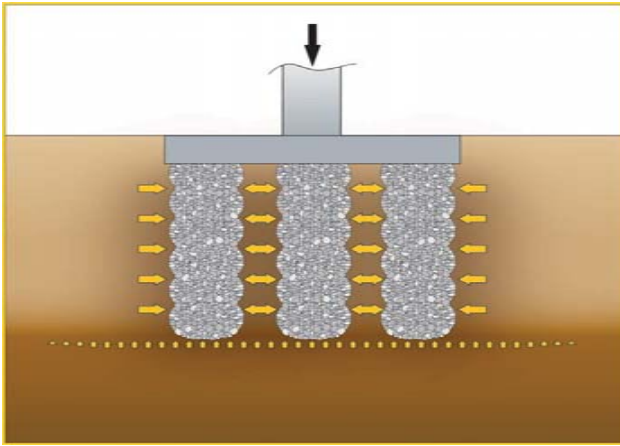
Sacramento Arden West

2200 Harvard St.

Sacramento, CA 95815

11am to 1pm

THE VIBRO PROBE. Developed nearly 80 years ago. Like the wheel, it has not changed significantly since its inception. And why should it? Nothing densifies loose, liquefiable soils better - Nothing. Hayward Baker offers the most effective, simple and proven method to prevent liquefaction ever developed. The structures constructed on top of soil densified by our Vibro Methods have withstood earthquakes such as Loma Prieta; Northridge and Manzanillo, and none experienced settlement or liquefaction damage.



Seminar Agenda

Registration starts at 11am
Lunch & Presentations will start at 11:30
The following topics will be covered in the seminar:

- ◆ Introduction to Hayward Baker
- ◆ A brief history of the Vibro Method from development in 1930 until today
- ◆ Static application for bearing capacity increase
- ◆ Column Stiffness
- ◆ Seismic applications for Liquefaction Mitigation
- ◆ QA/QC methods
- ◆ Case histories
- ◆ Question and Answer Session

Presenters



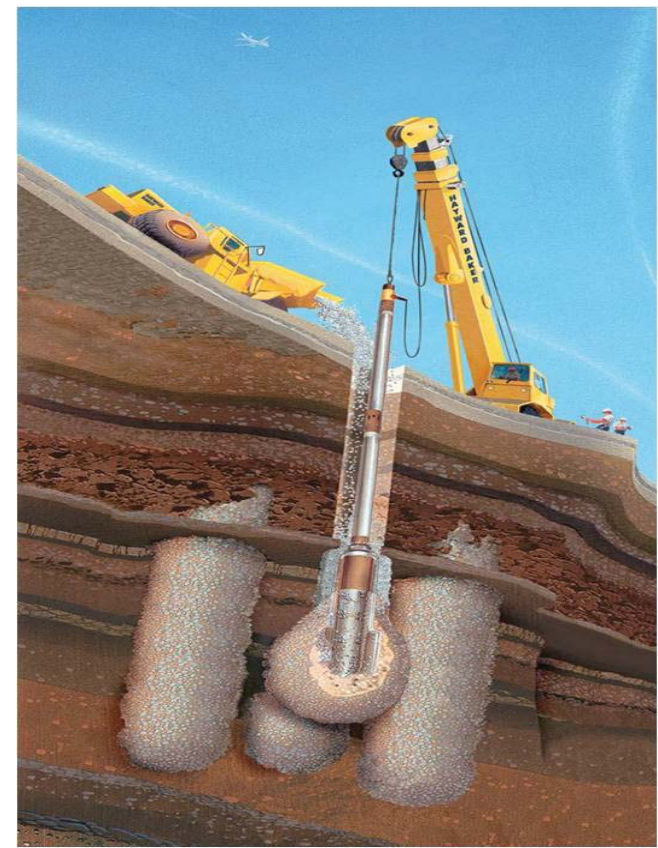
Tim Avery - Manager of Business Development
Mr. Avery holds a B.S. & M.S. in Geological Engineering from the University of Arizona and has over 20 years experience in engineering & construction. He started his career working for owners/designers, such as the Army Corps of Engineers and Pacific Gas & Electric. Mr. Avery manages and coordinates the marketing and sales of HBI's specialty geotechnical construction methods for the Western Region.



Lisheng Shao, Ph.D, PE, GE - Chief Engineer
Dr. Shao holds a B.S. & M.S. in Engineering Mechanics/Structure Engineering from Tsinghua University in Beijing China as well as a M.S. & Ph.D. in Civil Engineering from South Dakota School of Mines and Tech & North Carolina State majoring in Geotechnical Engineering. He has written or participated in over 20 publications and has 23 years experience working as an engineer. He is also a registered GE in the state of California and a registered PE in California and North Carolina.



Christian P. Schäfer, Project Manager
Mr. Schäfer holds a M.S. in Civil Engineering from the University of Rhode Island as well as Dipl.-Ing. in Civil Engineering from Technische Universität Braunschweig, Germany. He has been with HBI since 2006 and has over 6 years of experience in Geotechnical Engineering with particular emphasis on ground modification, deep foundations and earth retention systems.



Who Should Attend?

Anyone working in Geotechnical Engineering who has used aggregate piers to increase bearing capacity of soils, who is concerned about liquefaction mitigation, and who wants to keep abreast of current codes and technologies will benefit from attending this short lunch and learn seminar. Past participants who have found our seminars beneficial include geotechnical, structural and civil engineers, architects, general contractors and owners.

Please feel free to bring along anyone you feel would like to attend..... Don't forget to register them along with yourself!



For More Information On
Hayward Baker visit
www.haywardbaker.com